

StormPro
Series

BCV400

Residential Sewage Ejector

**BEST
VALUE IN
EFFICIENCY
&
RELIABILITY**



Now Featuring
The

iONTM

Solid State Non
Mechanical Digital
Level Control
Switch

FEATURES

- ⚡ An economical & reliable alternative built specifically for residential usage.
- ⚡ Extremely efficient motor design costs less to operate than typical sewage ejector pumps.
- ⚡ The iON switch has no moving parts or pieces to wear out and it out performs all other types of switches.
- ⚡ Heavy duty cast iron and stainless steel construction provides years of reliable operation.



Because Flooding Is Not An Option!TM

MODEL	OUTPUT		OUTLET INCH	RATED HEAD (FT)	FLOW (GPM)	MAXIMUM		PASS SOLID DIA (INCH)
	H.P.	AMP				HEAD	FLOW	
BCV400i	1/2	8.5	2	10	70	0 GPM @ 25'	90 GPM @ 0'	2

Available in Ion switch, Model BCV400A, or manual, Model BCV400M, configurations.



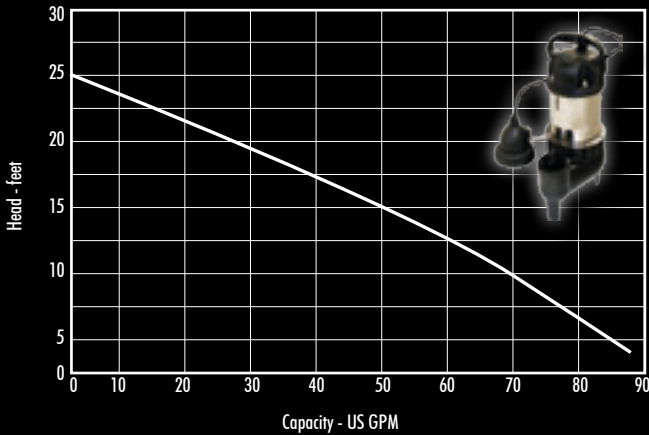
ION

PUMP TYPES



MANUAL

PUMP PERFORMANCE



SPECIFICATIONS

DISCHARGE: 2" N.P.T Female, Vertical

SOLIDS HANDLING: 2"

MINIMUM PIT DIA: 18"x30"

LIQUID TEMPERATURE: 130°F

DUTY: Continuous

MOTOR : Permanent Split Capacitor (PSC)

Design: Oil-Filled.

Insulation: Class B.

SAFETY: Built-in Thermal Overload Protection

MOTOR HOUSING: Type 304 Stainless Steel

SHAFT: Built-in Thermal Overload Protection

UPPER & LOWER BEARINGS: Single Row Ball, Oil Lubricated

SEAL:

Design: Dual Mechanical , Type 21

Material: Carbon Ceramic

IMPELLER: Non-Clogging Vortex, Cast Iron

O-RING: Buna-N

HARDWARE: Stainless Steel

BATTERY BACK-UP OPTIONS

SUMPRO

Back-up for 1/2 & 3/4 HP Pumps

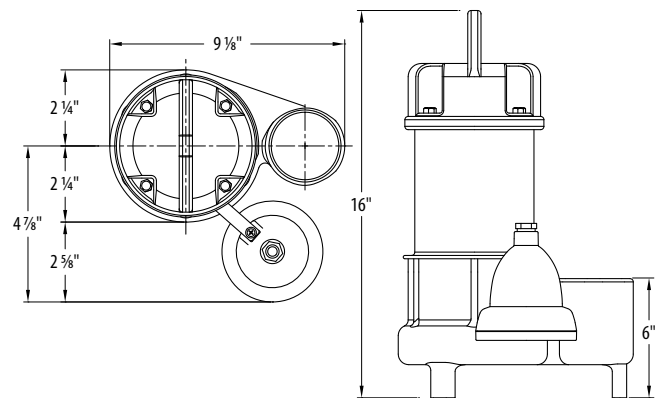


⚡ Easy installation, no modifications or piping changes

⚡ Operates your entire pump system during a power outage keeping your basement dry

⚡ Provides ultimate protection against blackouts and/or brownouts

BCV400 DIMENSIONS



REVISED: 04/09/2012



Distributed by:



37 Forestwood Drive, Romeoville, IL 60446-1343
 Telephone: (815) 886-9200 • Outside IL: (800) 323-1665
 Fax: (815) 886-6932 • www.sumpro.com