

Ion Technologies SEF100-SEF200

Heavy Duty Sewage Pumps

OPERATION MANUAL

Dated: 02/13/2025

Document Name: SEF100-SEF200_OM

Page 1 of 12



INTRODUCTION

Thank you for purchasing an Ion Technologies heavy duty sewage pump. Take the time to read the instructions carefully before using this appliance. We strongly recommend that you keep this instruction manual in a safe place for future reference.

Check the nameplate for your pump's specification, refer to the table list.

Be careful not to exceed the given specifications in the use of your pump.

Each pump is individually factory tested to ensure proper performance. Closely following these instructions will eliminate potential operating problems assuring years of trouble-free service.

Most accidents can be avoided by using common sense.

IMPORTANT: Ion Technologies is not responsible for losses, injury or death resulting from failure to observe these safety precautions, misuse, abuse or misapplication of pumps or equipment.

MARKS & MEANINGS



CAUTION: Keep the pump equipment out of the reach of children! Warns that the failure to follow the directions given could cause serious risk to individuals or objects.



WARNING: This sign warns the operator that the failure to follow an instruction may damage the pump and/or the system.

SAFETY WARNINGS



CAUTION: Read these safety warnings first before installing, servicing, or operating any pump.

Before Installation

This manual contains important information for the safe use of this product. Read this manual completely and follow the instructions carefully. Reasonable care and safe methods relating to the installation and operation of this product should be practiced. Check local codes and requirements before installation.



WARNING: Risk of Electrical Shock or Electrocutation. May result in serious injury or death or fire hazard. Installer must disconnect all electrical sources prior to installation, handling or servicing. Only qualified personnel may install this system. NFPA 70/National Electric Code (NEC) or local codes must be followed. System must be properly grounded according to NEC. Do not lift pump by power cord.



WARNING: Risk of Fire or Explosion. Do not smoke or use open flames in or around this system. This system is not intended for use in hazardous locations per NFPA 70 National Electric Code. Do not pump flammable liquids. Consult factory for optional equipment rated for hazardous location use.



CAUTION: Rotating machinery, amputation or severe lacerations can result. Keep clear of suction and discharge openings. **DO NOT** insert fingers into pump with power connected. Risk of serious cutting or

Ion Technologies SEF100-SEF200

Heavy Duty Sewage Pumps

OPERATION MANUAL

Dated: 02/13/2025

Document Name: SEF100-SEF200_OM

Page 2 of 12

amputation exists. Disconnect all power sources prior to servicing pump. Pump may start without warning.



CAUTION: Do not modify the cord and plug. When using the cord and plug, plug into a grounded outlet only. When wiring to a system control, connect the pump ground lead to the system ground.



CAUTION: Do not run the pump dry. Dry running can overheat the pump (causing burns to anyone handling it) and will void the warranty.



CAUTION: The pump normally runs hot. To avoid burns, allow it to cool for 30 minutes after shutdown before handling it.



CAUTION: Submersible sewage pumps are not approved for use in swimming pools, recreational water installations, decorative fountains or any installation where human contact with the pumped fluid is common. Pump designed to be installed in a sewage pit or wet location where drainage collects.



WARNING: Do not throw away or lose this manual. Keep it in a safe place so that you may refer to it often for the continued safe operation of the product.



CAUTION: All returned products must be cleaned, sanitized, or decontaminated prior to shipment, to insure employees will not be exposed to health hazards in handling said materials. All applicable laws and regulations shall apply.



WARNING: Bronze/brass fitted pumps may contain lead levels higher than considered safe for potable water systems. Government agencies have determined that leaded copper alloys should not be used in potable water applications.



WARNING: Installation, wiring, and junction connections must be in accordance with the National Electric Code and all applicable state and local codes. Requirements may vary depending on usage and location.



WARNING: Installation and servicing is to be conducted by qualified personnel only.



CAUTION: Rotating machinery, amputation or severe lacerations can result. Keep clear of suction and discharge openings. **DO NOT** insert fingers into pump with power connected.



WARNING: Always wear eye protection when working on pumps. Do not wear loose clothing that may become entangled in moving parts.



WARNING: Pumps build up heat and pressure during operation. Allow time for pumps to cool before handling or servicing.



CAUTION: Hazardous Voltage can shock, burn or cause death. This pump is not intended for use in swimming pools or water installations where human contact with pumped fluid is possible.



CAUTION: Risk of electrical shock. To reduce risk of electrical shock, always disconnect pump from source before handling. **Lock out power & tag.**



WARNING: Do not use these pumps in water over 145°F. Do not exceed manufactures recommended maximum performance, as this could cause the motor to overheat.



WARNING: Make sure lifting handles are securely fastened each time before lifting.



CAUTION: Do not lift, carry or hang pump by the electrical cables. Damage to the electrical cables can cause shock, burns or death. Never handle connected power cords with wet hands. Use appropriate lifting device.



WARNING: Sump and sewage pumps often handle materials which could cause illness or disease. Wear adequate protective clothing when working on a used pump or piping. Never enter a basin after it has been used.



CAUTION: Failure to permanently ground the pump, motor and controls before connecting to power can cause shock, burns or death.

Ion Technologies SEF100-SEF200

Heavy Duty Sewage Pumps

OPERATION MANUAL

Dated: 02/13/2025

Document Name: SEF100-SEF200_OM

Page 3 of 12



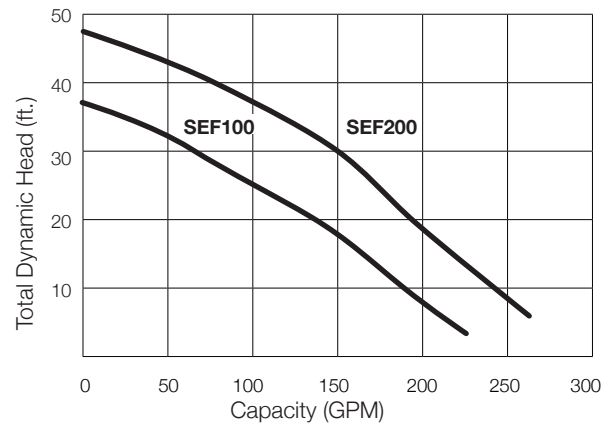
CAUTION: These pumps are NOT to be installed in locations classified as hazardous in accordance with the National Electric Code, ANSI/NFPA 70.



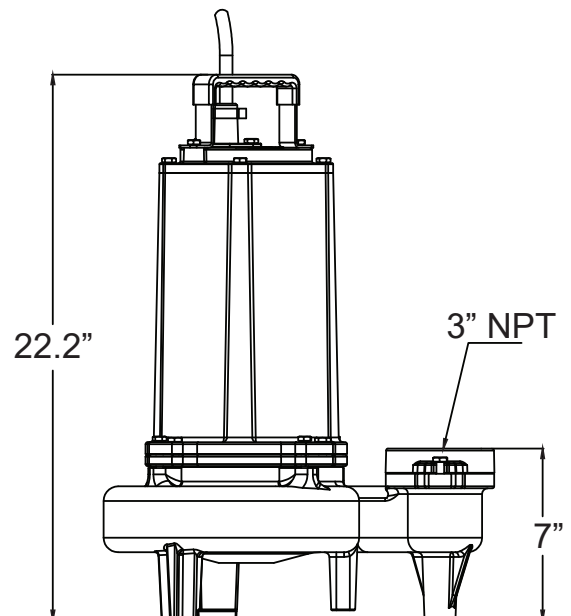
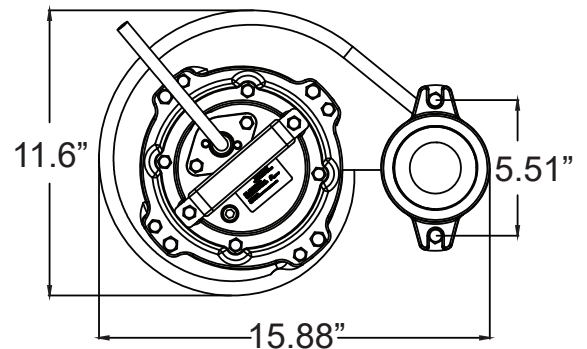
WARNING: Do not introduce into any sewer, either directly, or through a kitchen waste disposal unit or toilet: Seafood Shells, Aquarium Gravel, Cat Litter, Plastic Objects, Sanitary Napkins or Tampons, Diapers, Rags, Disposable Wipes or Cloth, Medications, Flammable Material, Oil or Grease, Strong Chemicals, Gasoline.

- Operation against a closed discharge valve will cause premature bearing and seal failure on any pump.
- Any wiring of pumps should be performed by a qualified electrician.
- Cable should be protected at all times to avoid punctures, cuts, bruises, and abrasions-inspect frequently.
- Never handle connected power cords with wet hands.
- Never let cords or plugs lie in water outside the pit.
- These pumps are offered in a three phase and single phase wiring configuration. Voltages will vary according to the application and can be seen in the tables in this manual.

PERFORMANCE



DIMENSIONS



PUMP INSTALLATION

These important instructions must be followed for satisfactory performance of your pump. Before installation, check your local electrical and plumbing codes.

The sump or basin shall be sealed and vented in accordance with local plumbing codes. This pump is designed to pump domestic wastewater, nonexplosive and noncorrosive liquids and shall NOT be installed in locations classified as hazardous in accordance with the National Electrical Code (NEC) ANSI/ NFPA 70 or Canadian Electric Code (CEC). The pump should never be installed in a trench, ditch, or hole with a dirt bottom. The legs will sink into the dirt and the suction will become plugged.

Ion Technologies SEF100-SEF200

Heavy Duty Sewage Pumps

OPERATION MANUAL

Dated: 02/13/2025

Document Name: SEF100-SEF200_OM

Page 4 of 12

Important	1 Phase Models		Model Number:
Prior to installation, record Model Number, MFG Date, Amps, Voltage, Phase and HP, from pump nameplate for future reference. Also record the voltage and current readings at startup.	Amps:	Volts:	MFG Date:
	3 Phase Models		Phase:
	Amps L1-2:	Volts L1-2:	HP:
	Amps L2-3:	Volts L2-3:	
	Amps L3-3:	Volts L3-3:	SN:

SPECIFICATIONS

Model	HP	Volt	Ph	Nema Start Code	FLA	Cord Size	Cord Type	Cord O.D. Inches
SEF100M21	1	60	230/1	1750	10.8	SOW/ SOOW	14/3	0.55
SEF100M23	1	60	230/3	1750	8.0	SOW/ SOOW	16/4	0.45
SEF100M03	1	60	208/3	1750	8.5	SOW/ SOOW	16/4	0.45
SEF100M43	1	60	460/3	1750	4.0	SOW/ SOOW	16/4	0.45
SEF200M21	2	60	230/1	1750	16.7	SOW/ SOOW	12/3	0.62
SEF200M23	2	60	230/3	1750	11.0	SOW/ SOOW	14/4	0.59
SEF200M03	2	60	208/3	1750	11.5	SOW/ SOOW	14/4	0.59
SEF200M43	2	60	460/3	1750	5.5	SOW/ SOOW	14/4	0.59

Ion Technologies SEF100-SEF200

Heavy Duty Sewage Pumps

OPERATION MANUAL

Dated: 02/13/2025

Document Name: SEF100-SEF200_OM

Page 5 of 12

SPECIFICATIONS (CONTINUED)

Description:

To pump domestic, commercial and light industrial sewage

Physical Data:

Discharge Size: 2" Flanged w/ 3" NPT adapter

Impeller Type: Vortex, Cast Iron

Cable Length: 20'

Liquid Handling:

Solids Size: 2"

Acceptable Ph Range: 6-8

Temperature:

Maximum Stator: 266°F

Maximum Liquid Temp.: 104°F - Intermittent

Technical Data:

Power Cord Type & Size:

- SEF100M1Ø-20 - SOW/SOOW 14AWG/3C
- SEF200M1Ø-20 - SOW/SOOW 12AWG/3C
- SEF100M 3Ø-20 - SOW/SOOW 14AWG/4C
- SEF200M 3Ø-20 - SOW/SOOW 14AWG/4C

Motor Housing: Cast Iron

Volute: Cast Iron

Impeller: Cast Iron

Motor Shaft: SS430

Hardware: SST

"O" Rings: NBR

Seals: Single Mechanical Carbon Ceramic

Upper Bearing: 6202

Lower Bearing: 6203



WARNING: Servicing should be performed only by an authorized service center.

Always disconnect the pump from power source before handling or making any adjustments. Always wear rubber boots when there is water on the floor and you must unplug the pump or make any adjustments.



WARNING: A clearance under the pump for entrance of sewage solids must be a minimum of 2 inches.

The sump or basin shall be sealed and vented in accordance with local plumbing codes. This pump is designed to pump domestic wastewater, non-explosive and non-corrosive liquids and shall NOT be installed in locations classified as hazardous in accordance with the National Electrical Code (NEC) ANSI/ NFPA 70 or Canadian Electric Code (CEC). The pump should never be installed in a trench, ditch, or hole with a dirt bottom. The legs will sink into the dirt and the suction will become plugged.

These pumps are usually installed in concrete or fiberglass basins with the lift-out rail system. Instructions for installing rail system are furnished with rail package.

If pump is not installed with lift-out rail system it must be properly supported on legs and connected to discharge pipe so that space is provided under pump for entrance of sewage. Pump inlet should not be closer than 2 inches from bottom of sump.

It is not generally desirable to install these pumps without the rail system except on special O.E.M. packaged systems. Check valves should always be installed along with shut-off valves. This allows for easier service and prevents backflow into basin.

Starting Pump After Installing in Sump

Before lowering pump into basin, connect power lines and start motor. Impeller should turn counterclockwise when looking at impeller.



WARNING: Disconnect all power and control wires to motor at control panel before starting disassembly operation. Never rely on opening circuit breaker only.



CAUTION: Operating pump builds up heat and pressure; allow time for pump to cool to room temperature.

Submergence

The pump should always be operated in the submerged condition. The minimum sump liquid level should never be less than above the pump's motor, unless very briefly.

Discharge Piping

Install discharge piping or hose assembly to the pump. Discharge piping should be as short as possible and sized no smaller than the pump discharge. Do not reduce the discharge pipe size below that which is provided on the pump. Both a check valve and a shut-off valve are recommended for each pump. The check valve is used to prevent backflow into the sump. The shut-off valve is used to manually stop system flow during pump servicing. Be sure the discharge pipe has a 1/8" diameter hole approx. 5" from end nearest volute and oriented towards the pump body.

Control Panel

Single phase series sewage pumps DO NOT require a control panel, but do require a level control.

Motor

Each motor is provided with heat sensor thermostats attached directly to the motor windings. The thermostats open if the motor windings see excessive heat and, in turn, open the motor contactor in the control panel when used, breaking the power to the pump. When the motor is stopped due to an overheated condition, it will not start until the motor has cooled.

PRE-OPERATION**Check Voltage And Phase**

Before operating pump, check to make sure that voltage and phase information stamped on the pump's identification plate matches the available power.

Check Pump Rotation

Before putting pump into service for the first time, the motor rotation must be checked. Improper motor rotation can result in poor pump performance and can damage the motor and/or pump.

Identification Plate

Note the numbers on the pumps identification plate and record in this manual for future reference.

**CAUTION: Electrical Connections**

Turn circuit breaker off before plugging or unplugging the switch and/or pump.

It is recommended that the level control float should be set to insure that the liquid in the sump never drops below the top of the motor housing. The level control should have adequate clearance so it cannot hang up in it's swing and that the pump is completely submerged when the level control is in the "Off" mode. Minimum tether length is 3.50".

By adjusting the cord tether the control level can be changed. DO NOT USE THE POWER CABLE TO LIFT PUMP.

Pump-Down Test

Be sure pump has been plugged in, lowered into the basin or sump, check the system by filling with liquid and allowing the pump to operate through its pumping cycle. The time needed to empty the system, or pump-down time along with the volume of water, should be recorded.

Thermal Protection

The normally closed (N/C) over temperature sensor is embedded in the motor windings and will detect excessive heat in the event an overload condition occurs.

The thermal sensor will trip when the windings become too hot and will automatically reset when the pump motor cools to a safe temperature.

In the event of an over temperature, the source of this condition should be determined and repaired immediately. Thermal protection shall not be used as a motor overload device.

Maintenance

Minimal maintenance is required. Perform the following checks when pump is removed from operation or when pump performance deteriorates:

1. Inspect motor chambers for oil level and contamination.
2. Inspect impeller and body for excessive build-up or clogging.
3. Inspect motor and bearings.
4. Inspect seal for wear or leakage.

TROUBLESHOOTING**Pump does not run and/or just hums.**

1. Line circuit breaker is off, or fuse is blown or loose.
2. Water level in sump has not reached turn-on level.
3. Pump cord is not making contact in receptacle.
4. Float is stuck. It should operate freely in basin.
5. If all of the above are OK, then the motor could be malfunctioning.

Pump runs but does not deliver water.

1. Discharge shut-off valve (if used) may be closed.
2. Impeller or volute openings are fully or partially clogged. Remove pump and clean.
3. Pump is air-locked. Start and stop several times by plugging and unplugging cord. Check for clogged vent hole in pump case.
4. Inlet holes in pump base are clogged. Remove pump and clean the openings.
5. Vertical pumping distance is too high. Reduce distance or change the discharge fittings of the pump.

Pump runs and pumps out sump, but does not stop.

1. Switch is stuck in up position.

Pump runs but delivers only small amount of water.

1. Pump may be air locked. Start and stop several times by plugging and unplugging cord. Check vent hole in pump case for plugging.
2. Vertical pumping distance is too high. Reduce distance or change the discharge fittings of the pump.
3. Inlet in pump base may be clogged. Remove pump and clean out openings.
4. Impeller or volute openings may be plugged or partially plugged. Remove pump and clean out.
5. Pump impeller may be partially clogged causing

motor to run slow, resulting in motor overload. Clear impeller.

Fuse blows or circuit breaker trips when pump starts.

1. Inlet in pump base may be clogged. Remove pump and clean out openings.
2. Impeller or volute openings may be plugged or partially plugged. Remove pump and clean out.
3. Pump impeller may be partially clogged causing motor to run slow, resulting in motor overload. Clear impeller.
4. Fuse size or circuit breaker is too small.
5. Defective motor stator; return to authorized service center for verification.

Motor runs for short time then stops. Then after short period starts again. Indicates tripping overload caused by symptom shown.

1. Inlet in pump base may be clogged. Remove pump and clean out openings.
2. Impeller or volute openings may be plugged or partially plugged. Remove pump and clean out.
3. Pump impeller may be partially clogged causing motor to run slow, resulting in motor overload. Clear impeller.
4. Defective motor stator; return to authorized service center.

WARRANTY IS VOID IF...

1. Using an extension cord.
2. Power cord has been cut or the grounding prong removed or using an adapter fitting.
3. The switch has been disassembled or tampered with.
4. Any tags or labels have been removed.
5. Used in a heavy grease application
6. Used in applications exceeding the designed temperature range of 32 - 104 degrees F.

Ion Technologies SEF100-SEF200

Heavy Duty Sewage Pumps

OPERATION MANUAL

Dated: 02/13/2025

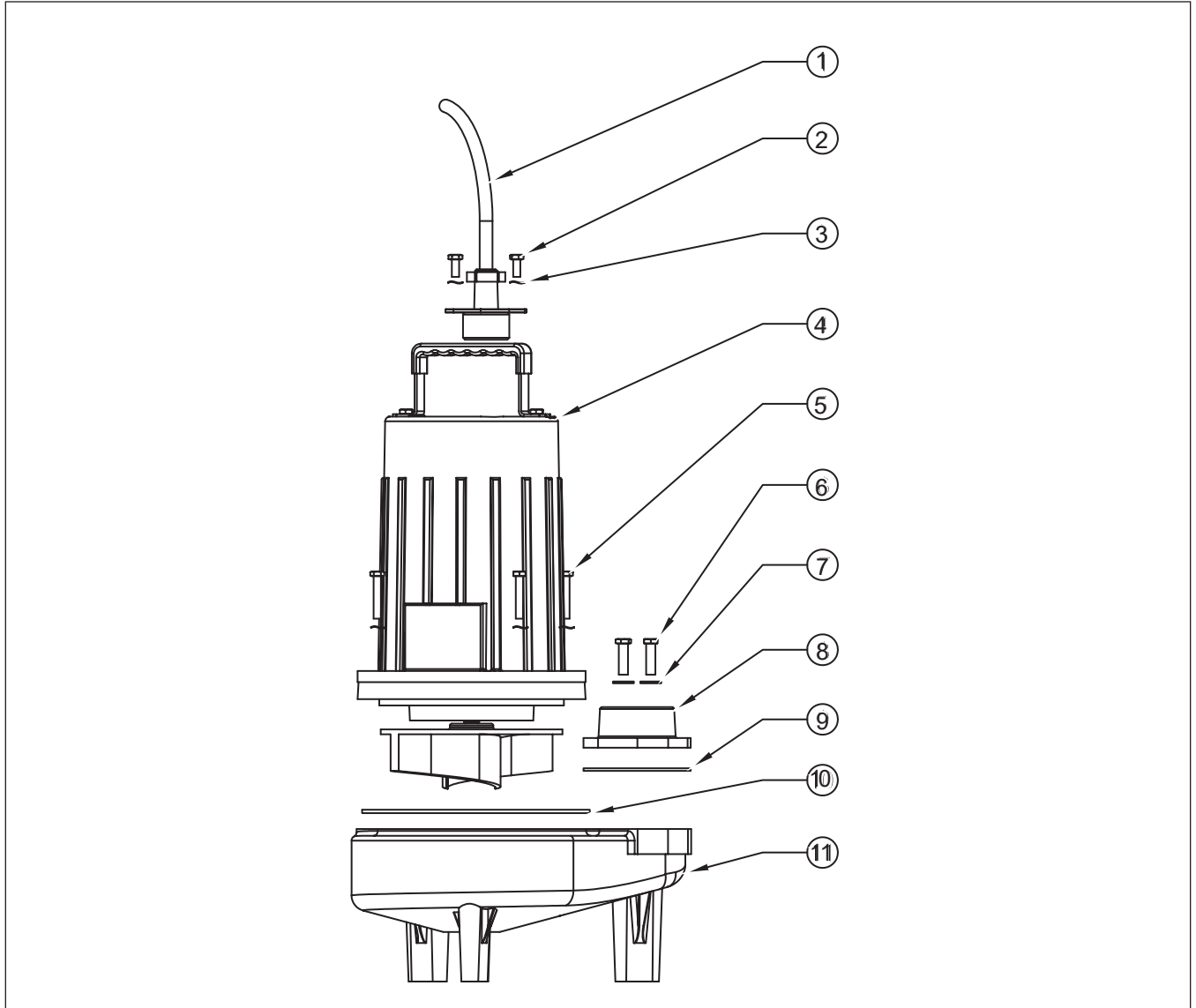
Document Name: SEF100-SEF200_OM

Page 8 of 12

EXPLODED VIEW DESCRIPTION

No.	Description	Part Numbers								Qty
		SEF100M21	SEF100M23	SEF100M03	SEF100M43	SEF200M21	SEF200M23	SEF200M03	SEF200M43	
		230V/1PH	230V/3PH	208V/3PH	460V/3PH	230V/1PH	230V/3PH	208V/3PH	460V/3PH	
1	POWER CORD	091SWF139	091SWF142	091SWF142	091SWF142	091SWF239	091SWF242	091SWF242	091SWF242	1
2	SCREW	091SWF160	091SWF160	091SWF160	091SWF160	091SWF160	091SWF160	091SWF160	091SWF160	4
3	RETAINER RING	091SWF138	091SWF138	091SWF138	091SWF138	091SWF138	091SWF138	091SWF138	091SWF138	1
4	STATOR ASSY	091SWF118	091SWF140	091SWF140	091SWF140	091SWF218	091SWF240	091SWF240	091SWF240	1
5	SCREW	091SWF127	091SWF127	091SWF127	091SWF127	091SWF127	091SWF127	091SWF127	091SWF127	4
6	SCREW	091SWF105	091SWF105	091SWF105	091SWF105	091SWF105	091SWF105	091SWF105	091SWF105	2
7	WASHER	091SWF104	091SWF104	091SWF104	091SWF104	091SWF104	091SWF104	091SWF104	091SWF104	2
8	FLANGE	091SWF103	091SWF103	091SWF103	091SWF103	091SWF103	091SWF103	091SWF103	091SWF103	1
9	GASKET	091SWF102	091SWF102	091SWF102	091SWF102	091SWF102	091SWF102	091SWF102	091SWF102	1
10	O-RING	091SWF116	091SWF116	091SWF116	091SWF116	091SWF116	091SWF116	091SWF116	091SWF116	1
11	VOLUTE	091SWF101	091SWF101	091SWF101	091SWF101	091SWF101	091SWF101	091SWF101	091SWF101	1

EXPLODED VIEW



1 Year Warranty

1. Coverage and Term. Metropolitan Industries, Inc. (“**Metropolitan**”) warrants to the original purchaser (the “Buyer”) of each Ion Technologies product (the “product”), that any part thereof which proves to be defective in material or workmanship within one (1) year from date of manufacture, will be replaced at no charge with a new or remanufactured part, F.O.B. factory. Buyer shall be responsible for all freight charges and all costs of field labor or other charges incurred in the removal and/or reinstallation of any product, part or component thereof.

2. Exclusions. **THE WARRANTY IS SUBJECT TO THE FOLLOWING CONDITIONS AND EXCLUSIONS:**

(a) The Warranty excludes products or workmanship which becomes defective as a result of: (i) earthquake, fire, storms, the elements or any other acts of God; (ii) normal wear and tear from use; (iii) accident, misuse, abuse or neglect; (iv) modifications made by Buyer or any third party, other than **Metropolitan**; and (v) Buyer’s failure to properly install, maintain, service and/or operate the product under normal conditions and according to manufacturer’s instructions.

(b) **Metropolitan** shall not be responsible for, and the Warranty shall not cover, extended damage which occurs because of Buyer’s failure to notify **Metropolitan** promptly in writing of apparent defects.

(c) Any part or component designated as manufactured by anyone other than **Metropolitan** shall be covered only by the express warranty of the manufacturer thereof.

(d) The Warranty shall lapse upon Buyer’s failure to fully comply with the terms and conditions of its contract with **Metropolitan**, including Buyer’s failure to pay the purchase price for the product or any portion thereof. Buyer’s subsequent compliance with the terms and conditions of any such contract, will not cause the term of the Warranty to extend beyond the time period set forth above.

(e) No actions taken by **Metropolitan** to correct a defect in a product shall extend the Warranty beyond the period set forth above. **Metropolitan** shall not be obligated to remedy any defect, where otherwise required pursuant to the Warranty unless and until Buyer notifies **Metropolitan** in writing of the defect and then only if such notification is made prior to the expiration of the period set forth above.

3. Process of Claims and Repairs. **Metropolitan** agrees that if the product or any part or component thereof shall fail to conform to the terms of this Warranty, **Metropolitan** shall replace such nonconforming product, part or component at the original point of delivery and furnish instruction for its disposition. Any transportation charges involved in such disposition and all costs of field labor or other charges incurred in the removal and/or reinstallation of any product, part or component thereof shall be the responsibility of Buyer.

4. Limitation on Liability. Notwithstanding any provision to the contrary, **Metropolitan’s** entire liability under this Warranty shall not in the aggregate exceed, and Buyer’s exclusive and sole remedies are, to the extent permitted by law, shall be to secure replacement of the defective product. **UNDER NO CIRCUMSTANCES SHALL METROPOLITAN BE LIABLE UNDER THE WARRANTY FOR ANY INDIRECT, PUNITIVE, SPECIAL, EXEMPLARY, CONSEQUENTIAL OR INCIDENTAL DAMAGES (INCLUDING LOST PROFITS, REVENUE, USE OR ECONOMIC ADVANTAGE).**

5. Express Waiver of Any Other Warranties. **THE EXPRESS WARRANTY SET FORTH IN THIS WRITTEN WARRANTY IS THE ONLY WARRANTY MADE BY METROPOLITAN, OR ANY OTHER PARTY, IN CONNECTION WITH ANY PRODUCT PURCHASED FROM METROPOLITAN. NEITHER METROPOLITAN, NOR ANY OTHER PARTY, MAKES ANY OTHER EXPRESS OR IMPLIED WARRANTY WHICH IS NOT SET FORTH HEREIN, AND METROPOLITAN HEREBY DISCLAIMS AND BUYER HEREBY WAIVES ALL IMPLIED WARRANTIES, INCLUDING THE IMPLIED WARRANTY OF MERCHANTABILITY AND THE IMPLIED WARRANTY OF FITNESS FOR A PARTICULAR PURPOSE.**

6. Not Transferable. The Warranty may not be transferred and shall be void on the sale or other transfer of the product.

7. Products and Warranty Subject to Change. **Metropolitan** reserves the right to make revisions to its products and their specifications, and to revise this Warranty and related information without notice.