

Take Control.  
**ION**  
Systems



# MPP III

## Power Pac System For Sumps

- (2) 1/3 HP pumps with PSC motor
- Recommended minimum basin size: 18 x 24"
- Includes Ion Genesis® controller, 1 1/2" check valve and 1 1/2" Sch. 40 PVC piping
- Every cycle alternates to the other pump
- Low amp draw pumps 4.5 amps
- Each pump rated up to 3180 GPH
- Factory built; easy and quick to install
- Built-in alarm system
- 3 year warranty



37 Forestwood Dr., Romeoville, IL 60446 [www.ionproducts.net](http://www.ionproducts.net) [815] 886-9200

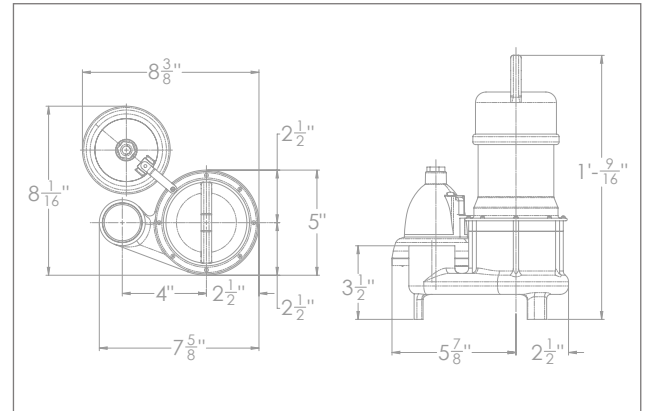
# MPPIII

## BA33 Sump Pumps

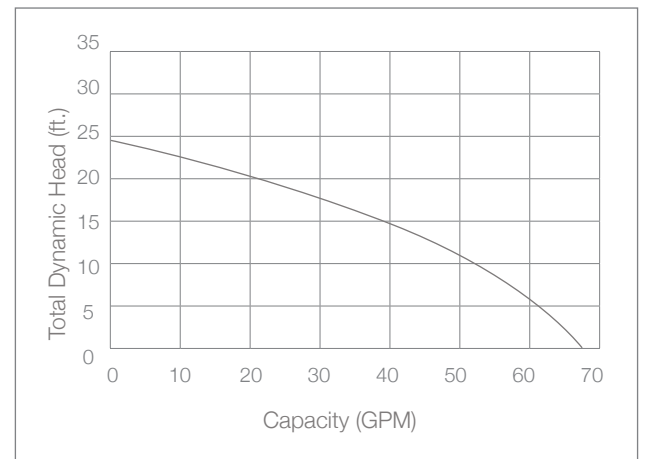
### System Specifications

Typical Applications	<ul style="list-style-type: none"><li>• Basement sump</li><li>• Dewatering</li></ul>
Maximum Capacity	Up to 68 GPM
Maximum Head	Up to 25'
Electrical Data	115 V, 1 Ø, 4.5 FLA, 60 Hz
Motor Data	1/3 HP, 3450 RPM
Recommended Minimum Basin Size	18" x 24"
Materials of Construction	Cast iron & stainless steel
Impeller	Thermoplastic vortex
Power Cord	10' Standard
Discharge Size	1 1/2" NPT
Solids Handling	1/2"

### Pump Dimensions



### Pump Performance



### Features

- Thermal overload protection
- Energy efficient motor
- Carbon ceramic mechanical seal
- Stainless steel screen prevents debris from entering the pump
- 3 year warranty