

Take Control.
ION
Technologies

A division of Metropolitan Industries, Inc.



BA33i

Sump Pump

- Basement Sump
- Dewatering

3 YEAR
RESIDENTIAL
WARRANTY



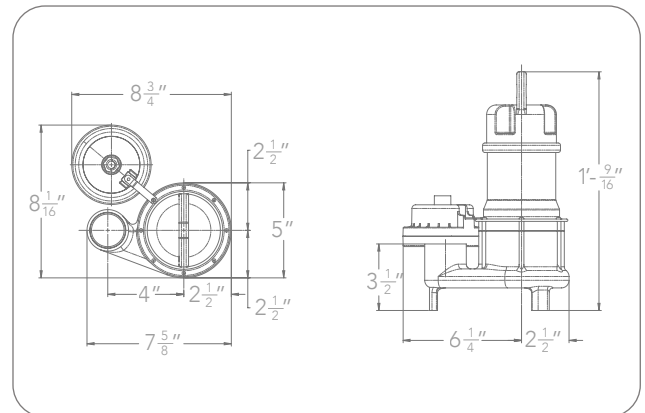
37 Forestwood Dr., Romeoville, IL 60446
www.ionproducts.net [815] 886-9200

Patent No. 8,591,198

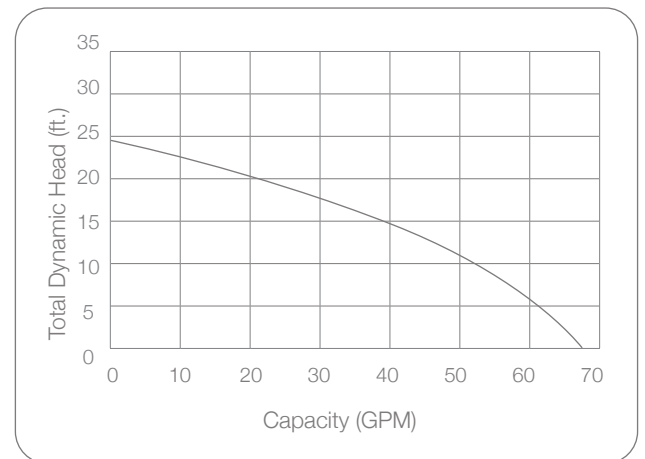
System Specifications

Typical Applications	<ul style="list-style-type: none"> • Basement sump • Dewatering
Maximum Capacity	Up to 68 GPM
Maximum Head	Up to 25'
Electrical Data	115 V, 1 Ø, 4.5 FLA, 60 Hz
Motor Data	1/3 HP, 3450 RPM
Recommended Minimum Basin Size	18" x 24"
Automatic Operation	i: Ion Digital Level Control (standard) SPI: Vertical float
Manual Operation	M: Manual
Materials of Construction	Cast iron & stainless steel
Impeller	Thermoplastic vortex
Power Cord	10' Standard
Discharge Size	1 1/2" NPT
Solids Handling	1/2"

Pump Dimensions



Pump Performance



Features

- Energy efficient motor
- Carbon ceramic mechanical seal
- Thermal overload protection
- Ion® digital level control piggyback switch has no moving parts (standard)
- Stainless steel screen prevents debris from entering the pump
- 3 year residential warranty