

Take Control.  
**ION**  
StormPro®



# BA33i

Sump Pump

- Basement Sump
- Dewatering



37 Forestwood Dr., Romeoville, IL 60446 [www.ionproducts.net](http://www.ionproducts.net) [815] 886-9200

Patent No. 8,591,198

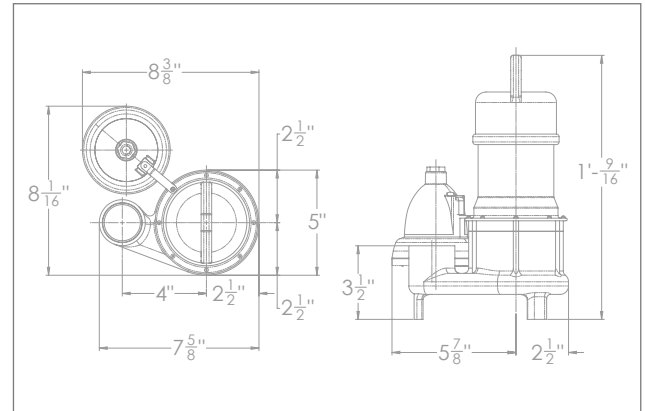
# BA33i

Sump Pump

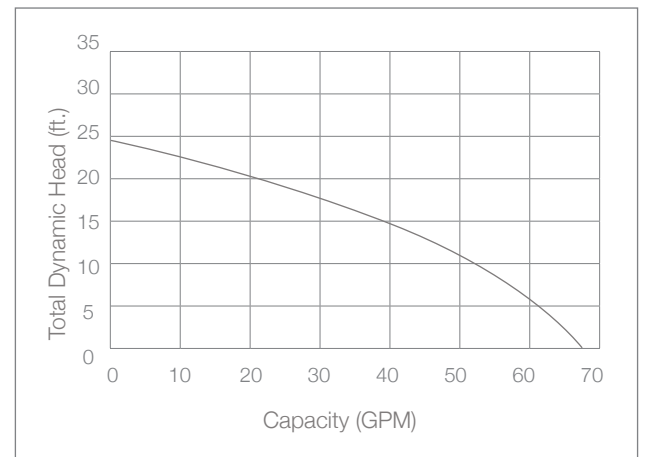
## System Specifications

Typical Applications	<ul style="list-style-type: none"><li>• Basement sump</li><li>• Dewatering</li></ul>
Maximum Capacity	Up to 68 GPM
Maximum Head	Up to 25'
Electrical Data	115 V, 1 Ø, 4.5 FLA, 60 Hz
Motor Data	1/3 HP, 3450 RPM
Recommended Minimum Basin Size	18" x 24"
Automatic Operation	i: Ion Digital Level Control (standard) SPI: Vertical float
Manual Operation	M: Manual
Materials of Construction	Cast iron & stainless steel
Impeller	Thermoplastic vortex
Power Cord	10' Standard
Discharge Size	1 1/2" NPT
Solids Handling	1/2"

## Pump Dimensions



## Pump Performance



## Features

- Energy efficient motor
- Carbon ceramic mechanical seal
- Thermal overload protection
- Piggy back Ion® digital level control switch has no moving parts (standard)
- Stainless steel screen prevents debris from entering the pump
- 3 year warranty