

ION STORM

Heavy Duty 3/4 HP Sump Pump

DATA SHEET

Dated: 4/14/08

Supersedes: None

Document No.: IONSTROM75-DS Page 1 of 1



DISCHARGE: 2" N.P.T. Female, Vertical
LIQUID TEMPERATURE: 130°F

Continuous

MOTOR HOUSING: Stainless Steel (304)

PUMP STRAINER: Stainless Steel (304)

IMPELLER: *Design:* Non-Clogging Vortex,
Cast Iron

SHAFT: Stainless Steel (410)

O-RINGS: Buna-N

HARDWARE: Stainless Steel

SEAL: *Design:* Dual Mechanical, Type 21

MATERIAL: Rotating Faces - Silicon Carbide

Stationary Faces - Silicon Carbide

UPPER BEARING: Single Row, Ball,
Oil Lubricated

LOWER BEARING: Single Row, Ball,
Oil Lubricated

MOTOR: *Design:* Oil-Filled.

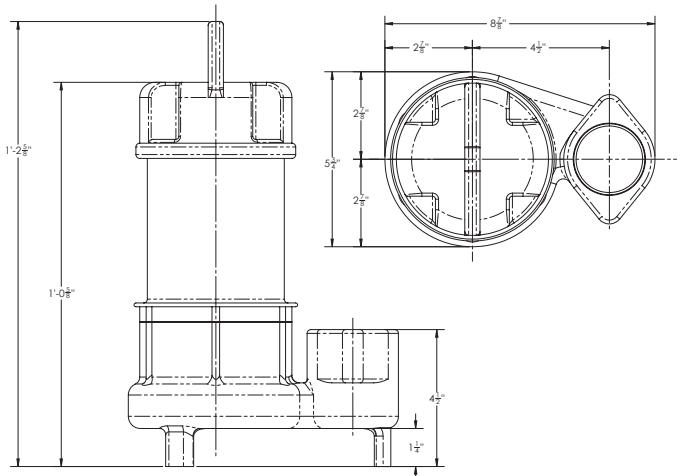
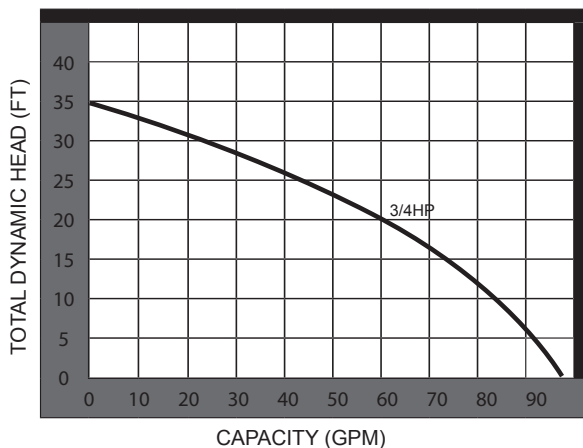
Insulation: Class B.

SINGLE PHASE: Permanent Split
Capacitor (PSC).

Includes Thermal Overload Protection.

MINIMUM SUMP DIA: BA-75i: 10" (457mm)

MODEL	DESCRIPTION	SPECIFICATIONS				
3/4 HP		H.P.	DISCH.	VOLT	AMP	GPM @ 10FT
BA-75i	PUMP W/ION DIGITAL LEVEL CONTROL	3/4HP	2"	115V	7.5A	84



www.metropolitanind.com