

ION STORM

Heavy Duty 1/2 HP Sump Pump

DATA SHEET

Dated: 10/28/2009

Supersedes: None

Document No.: SP50-DS

Page 1 of 1



DISCHARGE: 2" N.P.T. Female, Vertical
LIQUID TEMPERATURE: 130°F

Continuous

MOTOR HOUSING: Stainless Steel (304)

PUMP STRAINER: Stainless Steel (304)

IMPELLER: Design: Non-Clogging
 Vortex,

Cast Iron

SHAFT: Stainless Steel (410)

O-RINGS: Buna-N

HARDWARE: Stainless Steel

SEAL: Design: Dual Mechanical, Type 21

MATERIAL: Rotating Faces - Silicon Carbide

Stationary Faces - Silicon Carbide

UPPER BEARING: Single Row, Ball,
 Oil Lubricated

LOWER BEARING: Single Row, Ball,
 Oil Lubricated

MOTOR: Design: Oil-Filled.

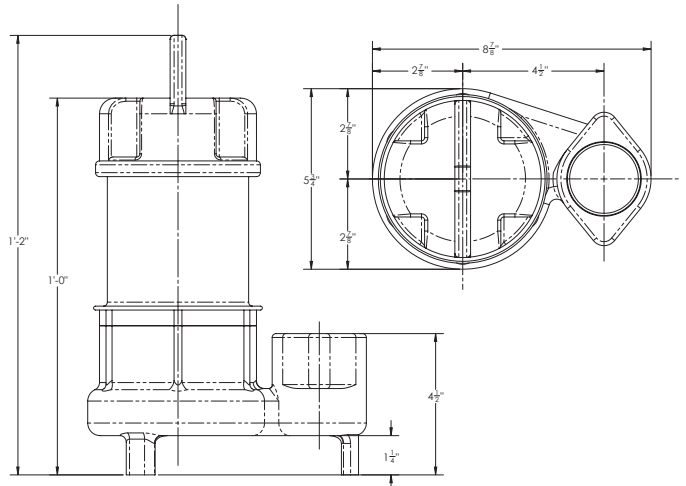
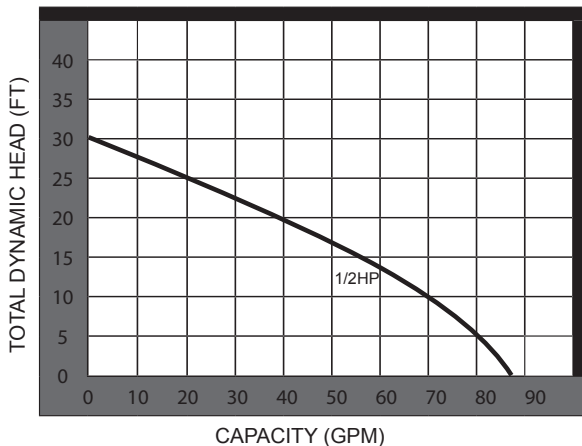
Insulation: Class B.

SINGLE PHASE: Permanent Split
 Capacitor (PSC).

Includes Thermal Overload Protection.

MINIMUM SUMP DIA: BA-501: 10"
 (457mm)

MODEL		DESCRIPTION		SPECIFICATIONS			
1/2 HP		H.P	DISCH.	VOLT	AMP	GPM @ 10FT	
BA-501	PUMP W/ ION DIGITAL LEVEL CONTROL	1/2HP	2"	115V	5.8A	70	



www.metropolitanind.com