



# SABER SUMP PIT PATENTED INSTALLATION MANUAL

For Models: SMP-01 SSP-01 SSP-01E SMP-PAK SSP-PAK

**PLEASE READ AND CAREFULLY FOLLOW ALL OF THE ENCLOSED  
INSTALLATION INSTRUCTIONS TO INSURE PROPER SYSTEM OPERATION**

---

## Important Reminders Regarding Safety

As with all construction projects, observe and exercise accepted safety precautions at all times.

If this system is to be installed in a location where potentially dangerous elements may be in place, such as natural gas lines, consult the appropriate authorities before excavating the site.

Insure that the tank lid is always securely fastened other than when servicing is required.

To avoid personal injury, electrical connections should be disabled prior to servicing.

---

## SECTION A Excavation of Sump Pit Cavity

When installing the Saber Sump Pit in both residential and commercial projects, system location may vary greatly. However, Saber Drainage Systems recommends the system be installed in a central location to maximize its drainage qualities.

- Step 1: Mark the intended location for the Sump Pit and create an opening which is no less than 30 inches(76 cm) in diameter.
- Step 2: Excavate the underlying soil to form a cavity to the required depth of your system (refer to *Figure 1* for accurate measurements).
- Step 3: Insure that the base is level and no less than 30 inches(76 cm) in diameter. Measure the depth from the base of the cavity to floor or ground level and adjust as necessary.

*Note:* In required locations, a geo textile mesh (filter cloth) may be used to assist in protecting the system against sediment deposits. Consult your local construction supply dealer for the correct material.

CAVITY DEPTH GUIDE	
<b>Model SMP-01</b>	36 inches (91.5 cm)
<b>Model SSP-01</b>	48 inches (122 cm)
<b>Model SSP-01E</b>	12 inches (30.5 cm) added to depth for each Tank Extension

## SECTION B

## Installation of Sump Pit

Step 1: Lower the Sump Pit into the cavity and observe that it is firmly seated with the top of the tank assembly at floor or ground level. We recommend that **Tank Extensions**, where applicable, are fastened prior to lowering the Sump Pit into the cavity (refer to **Section D** before completing this step).

*Note:* If **weeping tile lines** are to be directed into the Sump Pit, these connections should be completed before proceeding with the installation (refer to **Section E**).

To prevent unwanted materials from entering the tank, the lid should be in position when completing the following steps.

Step 2: To assist in anchoring and to prevent water from escaping the collection system, a concrete mixture or other dense material may be carefully poured around the base of the tank up to the perforated tier (refer to *Figure 2*).

Step 3: Backfill the remainder of the cavity with a clean granular drainage stone to the desired elevation. Insure that the stone used is larger than the perforations in the tank.

*Note:* The top 4 inches (10 cm) of the Saber Sump Pit is non-perforated to prevent finishing materials (eg. Concrete) from entering the tank.

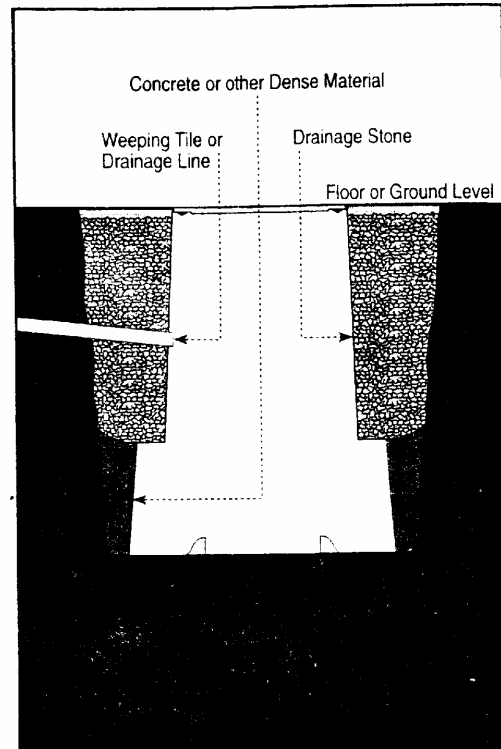


Figure 2

## SECTION C

## Plumbing and Electrical

Plumbing and electrical installation should conform with all local code and bylaw requirements.

Step 1: Remove any debris from the interior of the tank, specifically from the recessed platform at the bottom to assure optimum pump performance.

Step 2: Connect the discharge assembly to the sump pump. With both the SMP-PAK and SSP-PAK, plumbing and electrical instructions are included with the sump pump provided.

Step 3: Lower the pump and discharge assembly into the Sump Pit, insuring that the pump is resting firmly on the platform, and position so the discharge pipe, lid opening, and lid bolt-down holes are in correct alignment.

## Plumbing and Electrical continued...

Step 4: Remove the protective backing from the supplied neoprene gasket, and correctly position around the lid opening on the reverse side of the factory-installed perimeter gasket.

Step 5: With the perimeter gasket facing down, slip the pump's electrical cord through the lid opening followed by the discharge pipe. Lower the lid into position over the tank.

Step 6: Fasten the lid to the tank using the supplied stainless steel 3/4" Machine screws and 1" washers. For optimum results, the lid should be flush with the surrounding lip on the tank as illustrated (refer to *Figure 3*). **It is recommended that non-powered tools be used when securing the lid.**

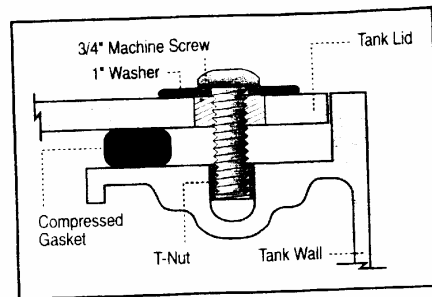


Figure 3

You may now proceed with any further plumbing and electrical connections as required.

## SECTION D Tank Extensions (where applicable)

The Saber Tank Extension (Model SSP-01E) is designed to be fastened to the Saber Sump Pit, Saber Mini Pit, or to additional Tank Extensions to achieve the desired Sump Pit elevation as required by certain site conditions or project specifications.

To install, locate the supplied stainless steel 1/2" Machine screws and 1" washers and connect as illustrated (refer to *Figure 4*). A gasket is not required between units. **It is recommended that non-powered tools be used when securing the Tank Extension.**

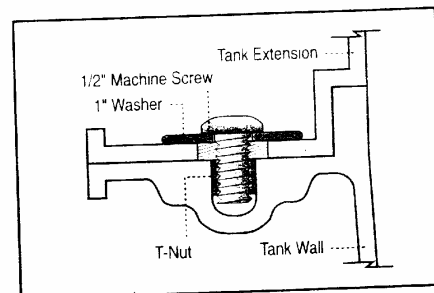


Figure 4

## SECTION E Weeping Tile Lines (where applicable)

In projects where weeping tiles or drainage lines are being utilized, proper *line elevation* is instrumental in assuring maximum site drainage.

A simple coring bit can be used to provide insertion inlets in the Sump Pit wall to accommodate drainage lines.

## SECTION F

## General Maintenance

This product is manufactured from durable polyethylene which is corrosion-proof and easy to clean, and the perforations along the tank wall and tier are engineered to allow for maximum water absorption while attracting a minimum amount of soil sediment.

It is recommended, however, that the tank interior be inspected periodically for any potential accumulation of sediment or unwanted debris as a preventative measure.

**Please insure that all electrical connections are disabled before servicing.**

### **Congratulations!**

You have just installed "*The Ultimate in Drainage*"  
The Saber Sump Pit.

If you have any questions regarding the installation or system operation, please contact Saber U.S.A. or your Saber representative.

Thank you.

Jim Parks  
President

**Saber U.S.A.:** P.O. Box 278  
Milroy, PA 17063

[Saberusa@aol.com](mailto:Saberusa@aol.com)

Notes:

---

---

---

---

---